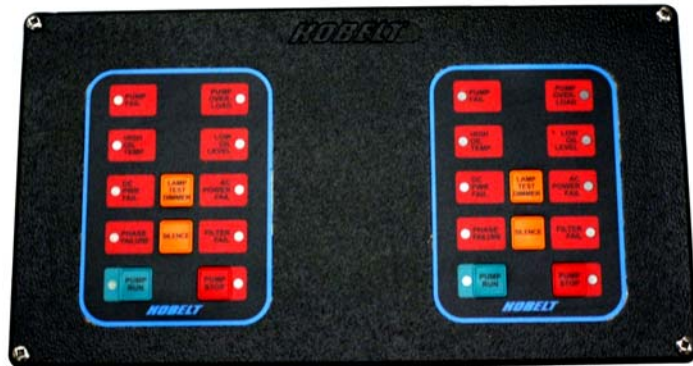


MODEL 6511-AP8 ALARM PANEL

This alarm panel is Kobelt's latest development in reducing the size of components and more importantly, helping our customers save time and money when installing alarm panels.



6511-AP8-S



6511-AP8-T

The 6511-AP8-S single alarm panel and 6511-AP8-T twin alarm panel provide alarm points for the steering hydraulic power units with AC motors. These panels can be located in the machinery control room or the pilothouse to switch, monitor and protect the steering system.

Main alarm points include:

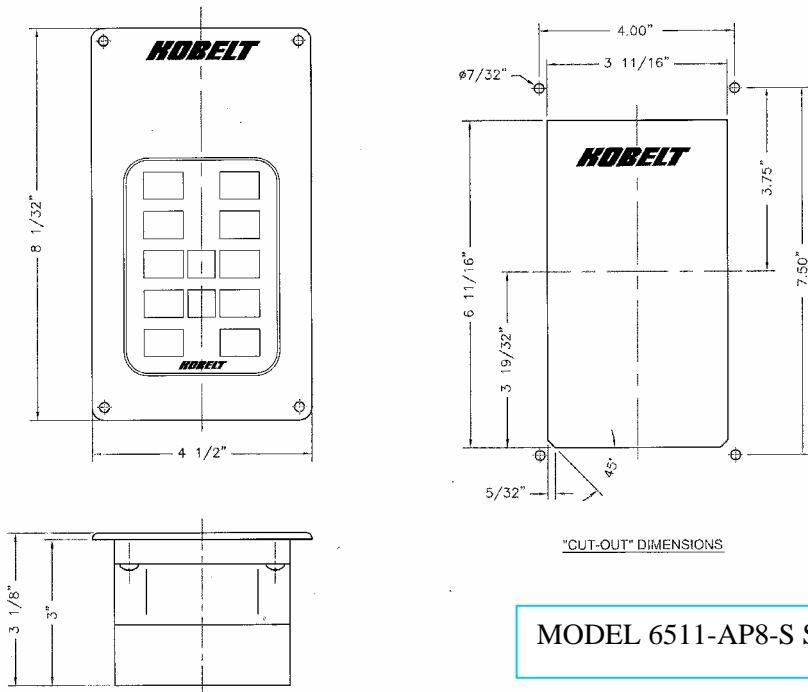
- Pump Fail (system pressure low)
- AC Power Fail
- DC Power Fail
- Phase Failure
- Pump Motor Overload
- Oil Level Low
- Oil Temperature High
- Oil Filter Failure
- Pump Start (remote control option)
- Pump Stop (remote control option)
- Lamp Test / Dimmer
- Acknowledge Silencer

All circuits are wired NC (normally closed) and in the event of an alarm or circuit failure, the back lit lenses will indicate which alarm is activated with an audible alarm. The alarm will stay on until it is acknowledged by pressing the Silence switch. The alarm will continue to flash until fault situation is cleared.

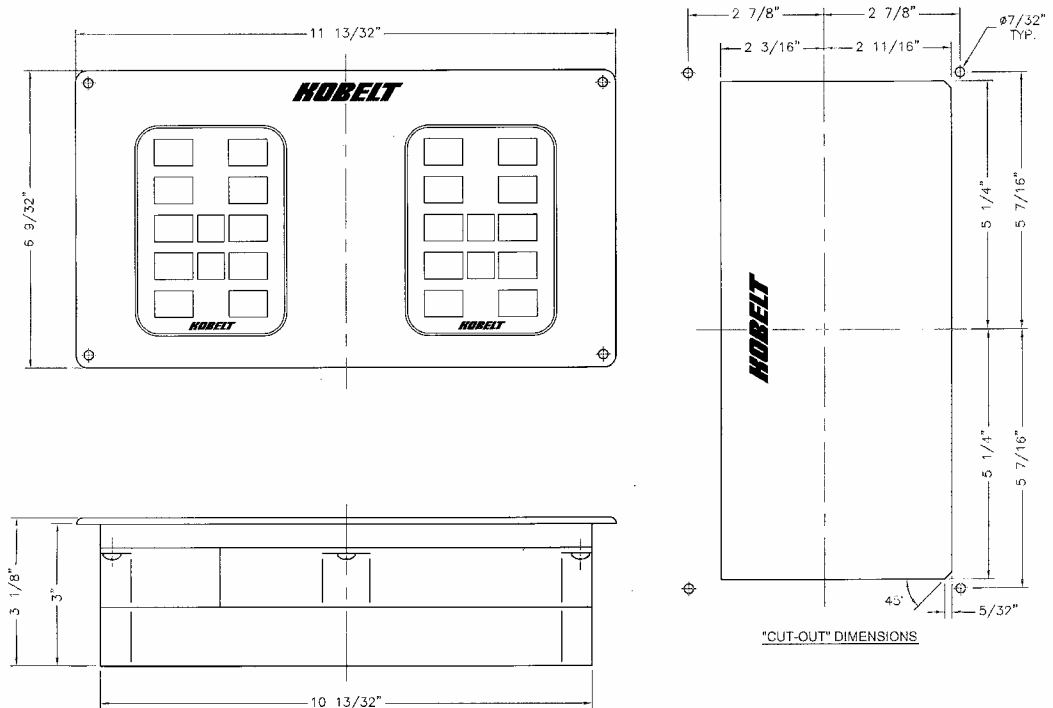
The 6511-AP8 has a water resistant membrane keypad and is constructed entirely of die-cast bronze complemented by stainless steel hardware for longevity in a marine environment.

Model:	Panel Dimension	Weight (approx.)
6511-AP8-S	4-1/2" x 8" (114 x 203 mm)	2.5 lb. (1.1 kg)
6511-AP8-T	6-1/4" x 11-3/8" (160 x 290 mm)	4.5 lb. (2 kg)

Please visit our website <http://www.kobelt.com> for more information

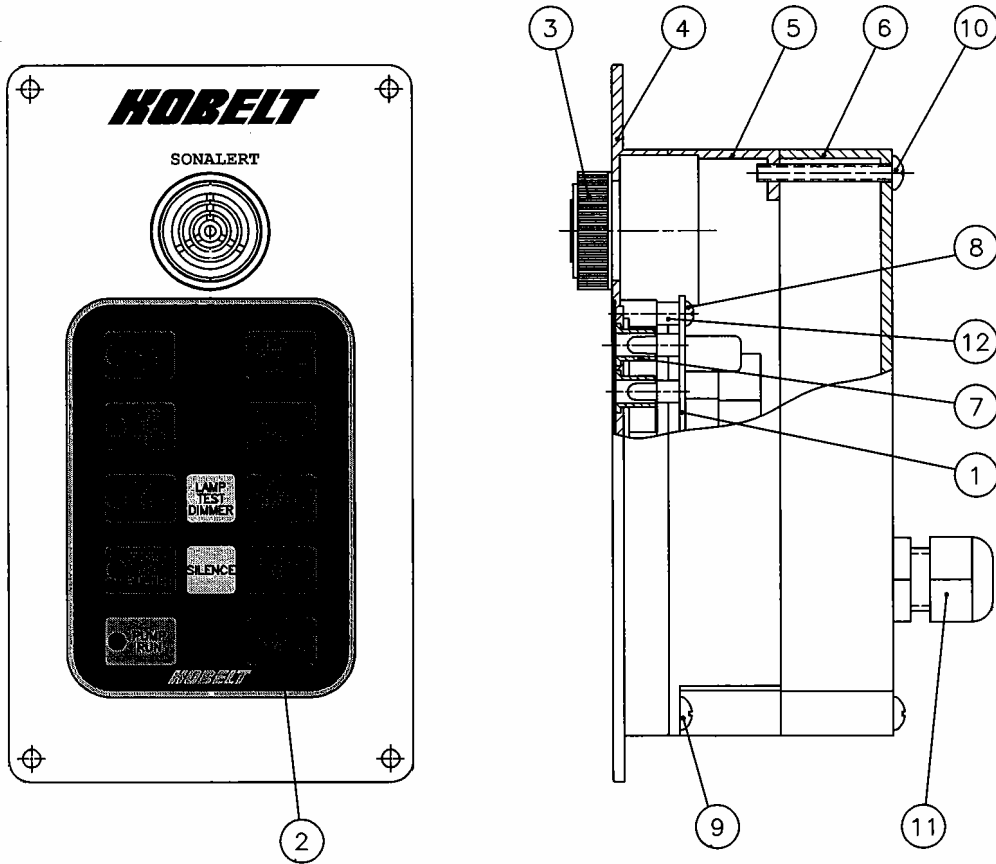


MODEL 6511-AP8-S Single Engine Panel



MODEL 6511-AP8-T Twin Engine Panel

PARTS LIST MODEL 6511-AP8



6511-AP8-S

Item	Quantity	Part Number	Description
1	1	6511-0050	Circuit board
2	1	6012-0003	Membrane switch
3	1	6001-2200	Sonalert SC628
4	1	7197-1001	Front panel
5	1	7197-1002	Frame housing
6	1	7197-0003	Cover
7	14	7197-0012	Bushing
8	4	1012-0608	Screw 6-32 x 1/2
9	4	1010-0806	Screw 10-24 x 3/8
10	2	1010-0824	Screw 10-24 x 1½
11	2	6001-0249	Cable gland SL-13-04
12	4	6009-7852	Spacer SP41

