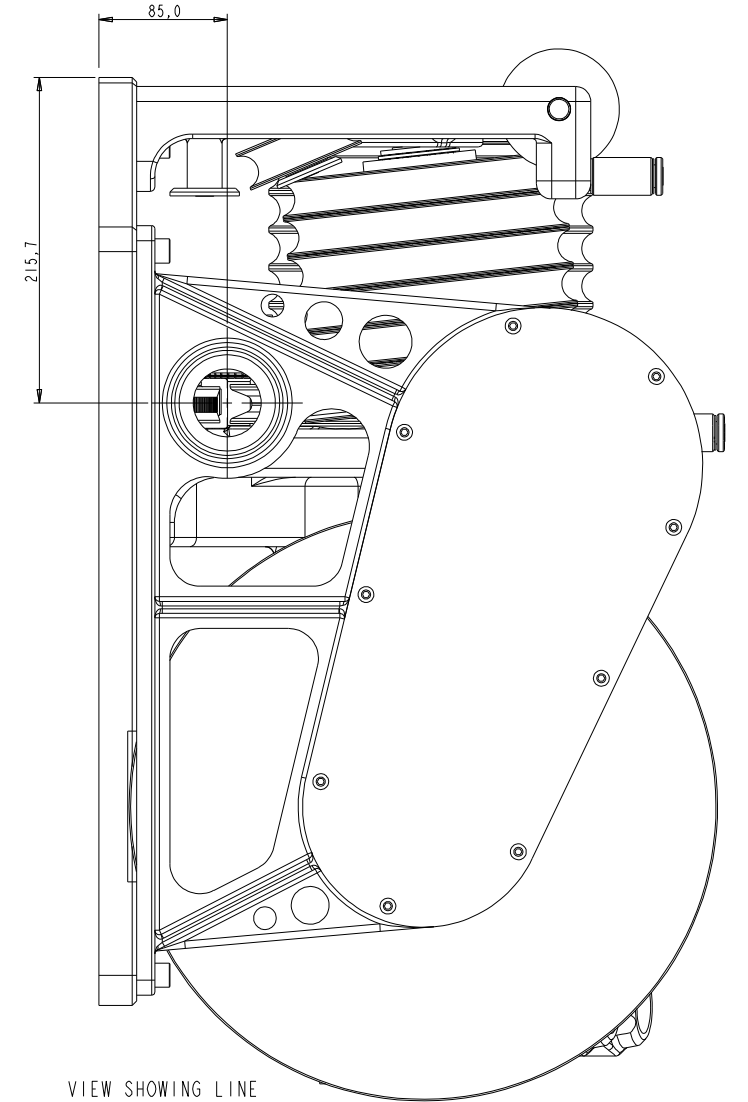
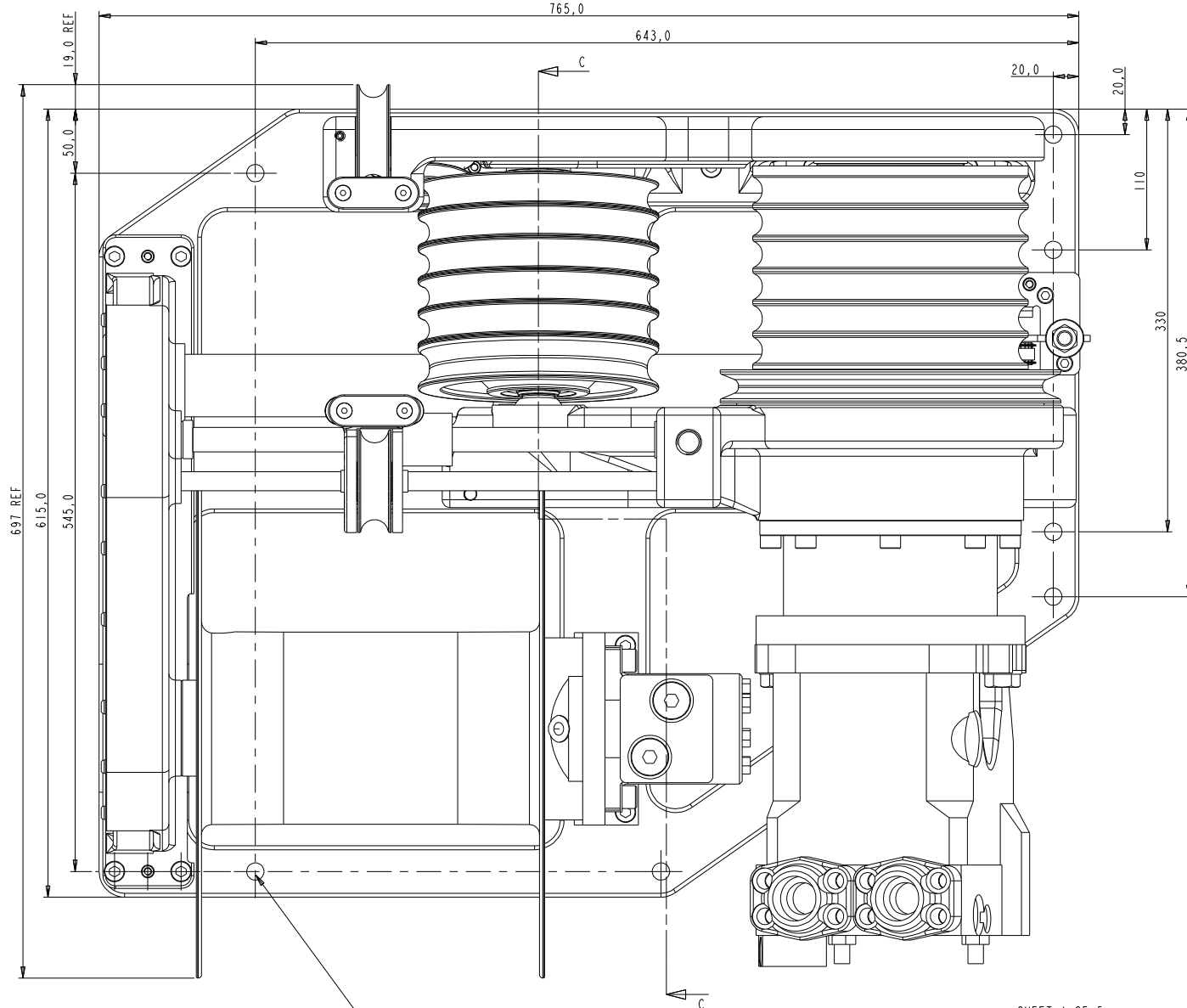
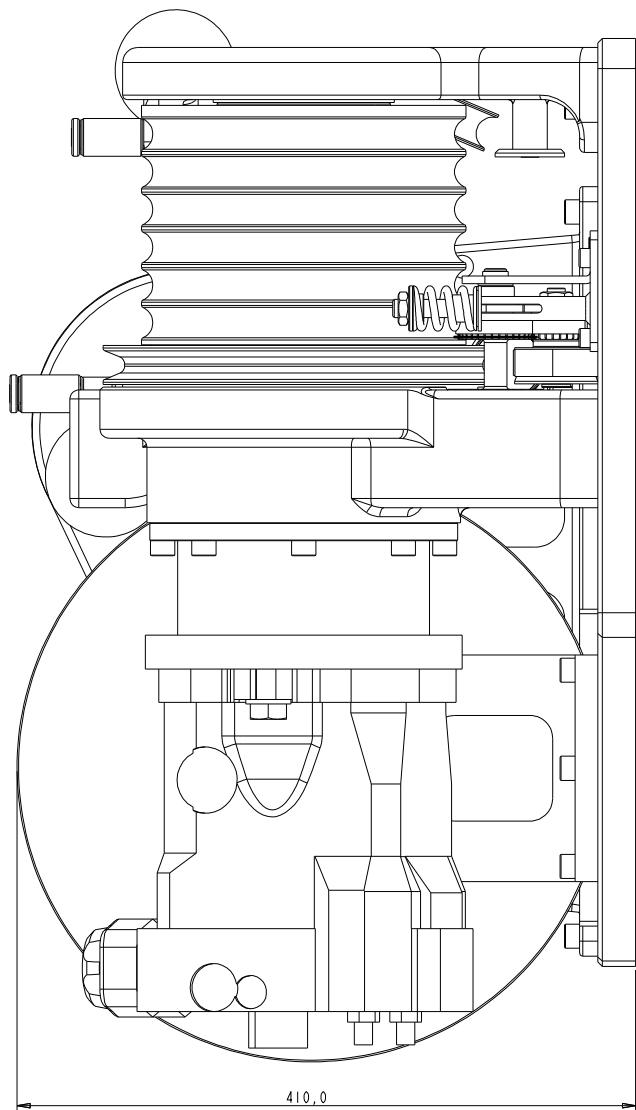
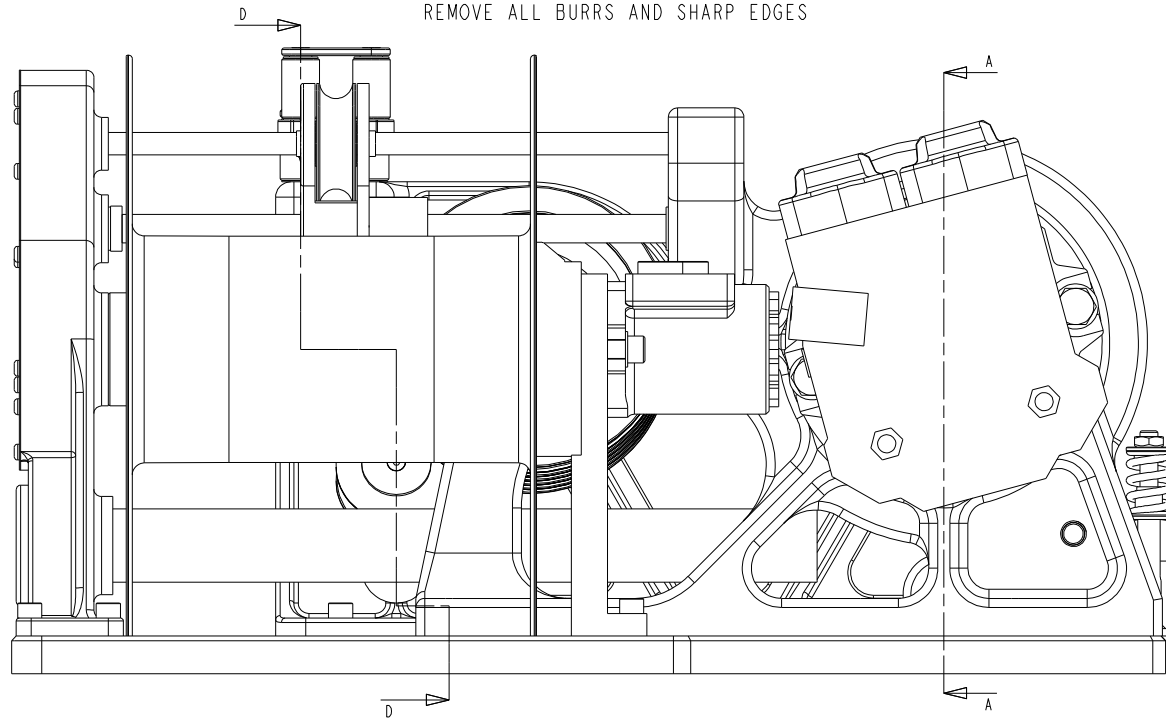


FIRST ANGLE PROJECTION

REMOVE ALL BURRS AND SHARP EDGES

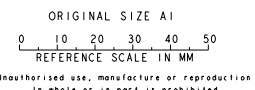
ISSUE	REVISION	MOD No.	DATE
C	V GROOVE	12610	17-Mar-10



VIEW SHOWING LINE ENTRY POSITION.

MOUNTING SCREW HOLES.
7 OFF M12 OR 1/2" UNC POSITIONED AS SHOWN.

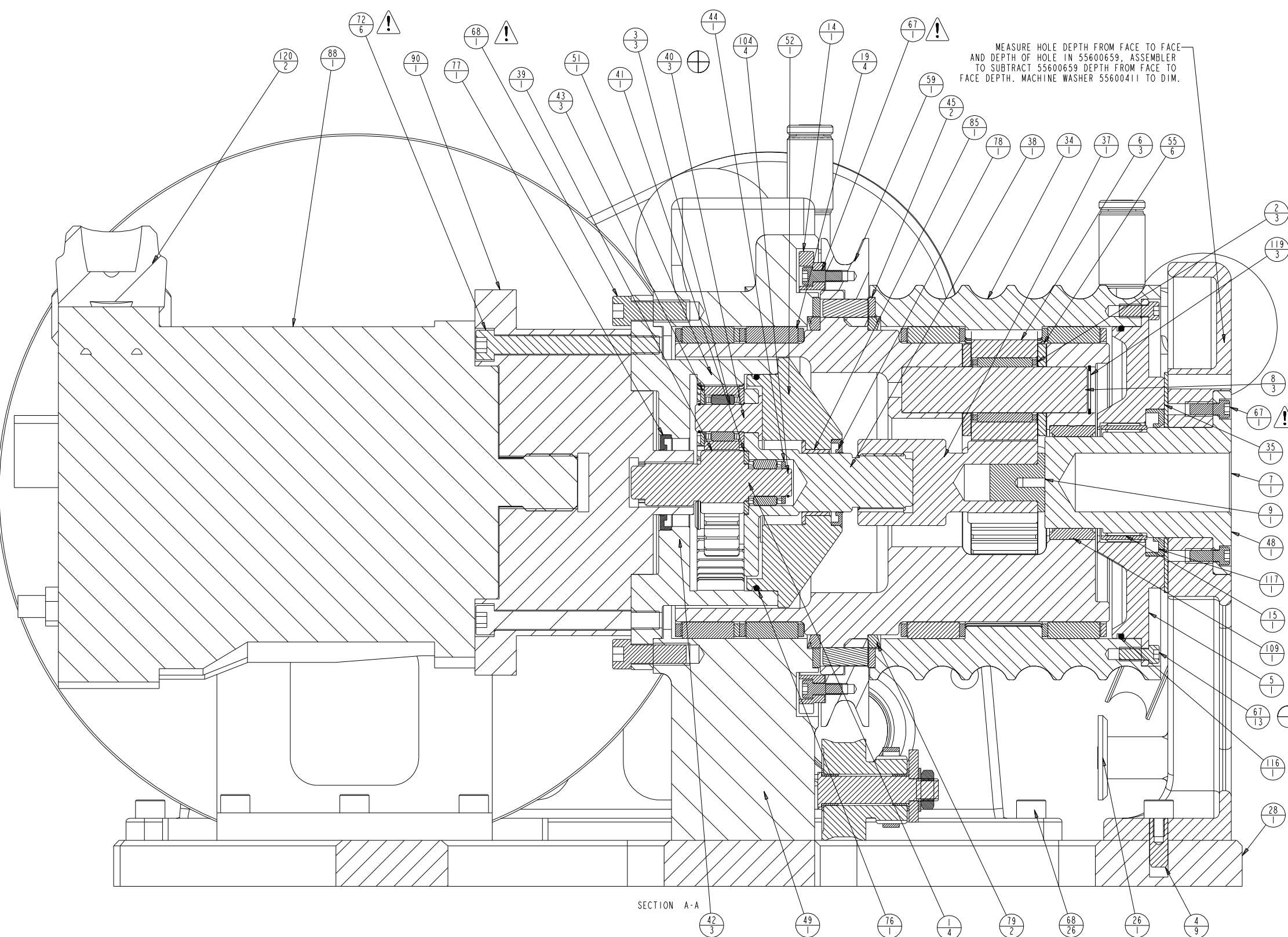
PART No. 59600268



SHEET-1 OF 5

MATERIAL N/A	ALL DIMENSIONS IN mm	DRN L. MOORE	TITLE CW 6000 18mm JIC
FINISH N/A	TOLERANCES (UNLESS STATED) LINEAR ± ANGULAR ±	DATE 17-Mar-10	PART No. 59600268
	SCALE 2:5	MODEL NAME: 59600268	LEWMAR

ISSUE	REVISION	MOD No.	DATE
C	V GROOVE	12610	17-Mar-10



ITEM	PART No.	DESCRIPTION	MATERIAL	QTY
119	B6541	CIRCLIP	STAINLESS	3
118	B6425	DRAIN PLUG	STAINLESS	1
117	B6240	RADIAL OIL SEAL	RUBBER	1
116	B6068	O' RING	TBD	1
115	B5727-A4	M16 FORM A WASHER A4	TBD	2
114	B5331-A4	M6x20mm SKT HD CSK SCREW A4	A4	1
113	B5301	M6x8mm B/H SKT	A2	9
112	B5033-A4	M8x20mm SKT CAP HEAD SCREW A4	A4	5
111	B4728-105	BALL ASSY 105 x QTY	DELIN	5
110	B4126-A4	M6x35 CSK SKT SCREW	A4	3
109	B3432	NB506225	N/A	1
108	B3365-18MM	720-8M-20	TBD	1
107	B3226	SKT HD PLUG 1/2" BSP	STAINLESS STEEL	2
106	B2808	ROSE BEARING	N/A	2
105	B2429	HELICOIL M8X2D	304S15	1
104	B2343	CIRCLIP	STAINLESS	4
103	B2227	SKIFFY 005 600 000 02	NYLON	1
102	B2226	SKIFFY 005 6070 00 02	NYLON	1
101	B2098	CIRCLIP	STAINLESS	1
100	B2087	ext. circlip	ST STL	2
99	B20207	M8x65mm SKT BUTION HEAD A4	ST/STL A4	1
98	B1366	WASHER	STAINLESS	1
97	B12945	BLANKING PLUG 7/16"SAE	STAINLESS	1
96	B12942	M22 STEEL BLANKING PLUG	TBD	1
95	B12941	BLANKING PLUG M14 X 1.5	STAINLESS STEEL	1
94	B12880	LMS MOTOR LABELS	TBD	1
93	B12737	CW6000 COVER	TBD	1
92	B12730	PACKING CRATE CW6000	TBD	1
91	B12729	LMS MANIFOLD TRANSIT BOX	TBD	1
90	B12558	MATRIX PD0042-07	N/A	1
89	B12415	U-CLIP	304	1
88	B12399	LINDE HMV 55	TBD	1
87	B12337	IGUS BEARING GF1-1214-16	TBD	2
86	B12336	FLANGE BEARING	TBD	4
85	B12333	IGUS BEARING	TORLON	1
84	B1212	WASHER	STAINLESS	2
83	B1207-A4	M8 WASHER FORM B A4	ST/STL A4	1
82	B11205	O' RING	NITRILE	1
81	B11167	STOWING BRAKE	STEEL	1
80	B11055	O' RING	NITRILE	1
79	B11043	V-SEAL	TBD	2
78	B11033	TBD	TBD	1
77	B11032	TBD	TBD	1
76	B11031	O' RING	TBD	1
75	B10721	HYDRAULIC MOTOR	STEEL	1
74	B10342	HEX HEAD BOLT	A2	2
73	B0855	M8x20mm SKT CAP LOW HEAD SCREW A4	A4	1
72	B0840	SOCKET HD CAP SCREW	A2	6
71	B0836	SOCKET HD CAP SCREW	A2	4
70	B0759-A4	M8x16 SKT HD CAP SCREW A4	A4	8
69	B0696	SOCKET HD CAP SCREW	A2	2
68	B0693	SOCKET HD CAP SCREW	A2	30
67	B0679	SOCKET HD CAP SCREW	A2	15
66	B0678	SOCKET HD CAP SCREW	A2	8
65	B0677	SOCKET HD CAP SCREW	A2	8
64	B0644	M6x10MM CONICAL POINTED GRUB SCREW	A4 STAINLESS	1
63	58600091	22mm LINE FEEDER	N/A	1
62	58600088	LINE DRIVER ASSY CW6000	N/A	1
61	58301190	MANIFOLD BLOCK	6082-T6	1
60	55600826	10MM DOWEL 304 SS	304 SS	8
59	55600825	CW6000 18MM V GROOVE DRIVE RING	6082 T6	1
58	55600770	REVERSER PULLEY 47T	ACETAL	1
57	55600769	STOWING DRUM PULLEY 33T	ACETAL	1
56	55600706	CONTAINMENT WASHER	C7 114	1
55	55600699	THRUST WASHER	ACETAL	6
54	55600698	AXLE PIN	304 S15	1
53	55600696	DRUM STUB AXLE	ACETAL	1
52	55600663	RING GEAR CAP	BLACK ACETAL	1
51	55600661	RING GEAR	FV520B	1
50	55600657	CW6000 DRIVE DRUM	6082 T6	1
49	55600655	INNER SUPPORT BRACKET	53600655	1
48	55600654	OUTER SIDE SUPPORT	53600654	1
47	55600628	STOWING BRAKE BRACKET	6082-T6	1
46	55600595	STOWING INPUT SHAFT	304S15	1
45	55600509	THRUST WASHER	DELIN	2
44	55600487	WASHER	DELIN	1
43	55600486	WASHER	DELIN	3
42	55600485	PLANET GEAR	FV520B	3
41	55600484	WASHER	DELIN	1
40	55600483	WASHER	DELIN	3
39	55600481	G/BOX SUN GEAR	FV520B	1
38	55600478	PLANET CARRIER OUTPUT SHAFT	FV520B	1
37	55600477	OUTPUT SUN GEAR	FV520B	1
36	55600454	FIRST IDLE SHEAVE	6082 T6	1
35	55600411	THRUST WASHER	55600411	1
34	55600395	MAIN DRUM	13003182	1
33	45000280	DOWEL	304S15	1
32	40006293	CW THRUST WASHER	FV520B	1
31	40006290	LW MID SHEAVE	6082 T6	5
30	40006289	END SUPPORT BRACKET	13003211	1
29	40006287	CW 6000 STOWAGE DRUM	AS STATED	1
28	40006285	BASE PLATE	6082 T6 STOCK PLATE	1
27	40006275	CARBON COVER PLATE	CARBON FIBRE	1
26	40006267	RETAINING WASHER	304 S15	2
25	40006265	ROLLER BRIDGE	304 S31	1
24	40006264	ROPE GUARD TUBE	40006337	1
23	40006263	GUIDE BAR	304 S31	1
22	40006262	FAIRLEAD ROLLER	316 S31	2
21	40006261	AXIAL TUBE	316 S31	3
20	40006260	LMS SHEAVE	BLACK ACETAL	2
19	18000478	BEARING ASSEMBLY	SEE DETLS	4
18	18000209	ROLLER BEARING	TORLON	5
17	18000007	THRUST BEARING	AS SHOWN	2
16	550100680	6mm DOWEL	304 S15	2
15	150100071	ROLLER BEARING	STAINLESS	2
14	15003177	GEAR RING	HE 301F	1
13	15003234	BALL REVERSER	TBD	1
12	15003203	THRUST WASHER	FV520B	2
11	15003200	LMS BEARING SLEEVE	FV520B	1
10	15003199	IDLE DRUM SHAFT	FV520B	1
9	15003194	END STOP	ACETAL	1
8	15003189	GEAR SPINDLE	FV520B	3
7	15003188	DRUM SUPPORT	FV520B	1
6	15003187	PLANET GEAR	FV520B	3
5	15003185	CW6000 END PLATE	304 S15	1
4	15002020	DOWEL	304 S15	10
3	15001662	GEAR PIN	FV520B	3
2	15000018	ROLLER BEARING	AS SHOWN	3
1	15000017	ROLLER BEARING	STAINLESS	4
		DESCRIPTION		

SECTION A-A

⊕ TACK WELD B0697 TO 15003185 ON ASSEMBLY
TACK WELD 55600483 TO 55600478 ON ASSEMBLY

! SECURE WITH B2602 (LOCTITE 243)

⊕ SECURE WITH B2609 (LOCTITE 638)

SHEET-2 OF 5

MATERIAL	N/A
FINISH	N/A

ALL DIMENSIONS IN mm	DRN	L. MOORE	TITLE	CW 6000 18mm JIC
TOLERANCES (UNLESS STATED)	DATE	17-Mar-10	PART No.	59600268
LINEAR ±	SCALE	4:5		
ANGULAR ±				

MODEL NAME: 59600268	LEWMAR
----------------------	--------

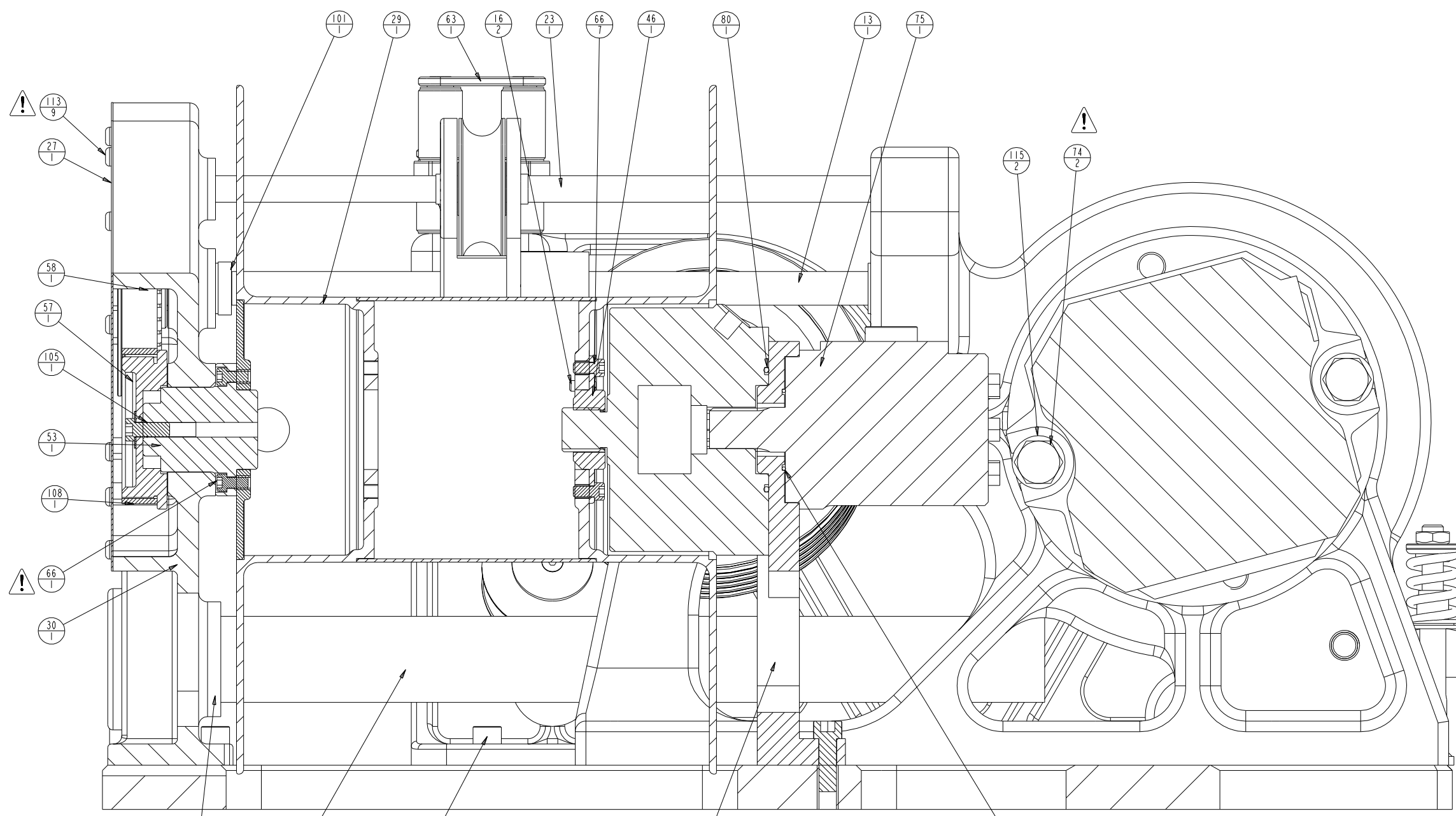
PART No. 59600268

ORIGINAL SIZE A1

0 10 20 30 40 50

REFERENCE SCALE IN MM

Unauthorised use, manufacture or reproduction in whole or in part is prohibited



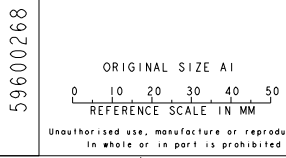
SECURE 4000264 TO 40006289
USING B1865 (BLACK SIKAFLEX 221)

SECURE WITH B2602 (LOCTITE 243)

120	B6934	SA PIPE FLANGE	TBD	2
119	B6541	CIRCLIP	STAINLESS	3
118	B6425	DRAIN PLUG	STAINLESS	1
117	B6240	RADIAL OIL SEAL	RUBBER	1
116	B6068	O-RING	TBD	1
115	B57271A4	M16 FORM A WASHER A4	TBD	2
114	B5331A4	M6x20mm SKT HD CSK SCREW A4	A4	1
113	B5301	M6x8mm B/H SKT	A2	9
112	B5033 A4	M8x20mm SKT CAP HEAD SCREW A4	A4	5
111	B4728 105	BALL ASSY 105 x 011	DELTRIN	5
110	B4126 A4	M6x35 CSK SKT SCREW	N/A	3
109	B3436	NB506225	TBD	1
108	B3365 18MM	120-0M-20	N/A	1
107	B3226	SKT HD PLUG 172-BSP	STAINLESS STEEL	2
106	B2806	N/A	N/A	2
105	B2420	ROSE BEARING	304 S15	1
104	B2343	HELICOTIL M8x20	STAINLESS	4
103	B2227	CIRCLIP	STAINLESS	4
102	B2226	SKIFFY 005 6100 000 02	NYLON	1
101	B2098	SKIFFY 005 6070 00 02	NYLON	1
100	B2087	CIRCLIP	STAINLESS	1
99	B20267	ext. circlip	ST STL	2
98	B1366	M8x65mm SKT BUTTON HEAD A4	ST/STL A4	1
97	B12945	WASHER	STAINLESS	1
96	B12942	BLANKING PLUG 7/16 SAE	STAINLESS	1
95	B12941	M22 STEEL BLANKING PLUG	TBD	1
94	B12880	BLANKING PLUG M14 X 1.5	STAINLESS STEEL	1
93	B12787	LMS MOTOR LABELS	TBD	1
92	B12780	CW6000 COVER	TBD	1
91	B12729	PACKING CRATE CW6000	TBD	1
90	B12558	LMS MANIFOLD TRANSIT BOX	TBD	1
89	B12415	MATRIX PD0042-07	N/A	1
88	B12399	U-CLIP	304	1
87	B12387	LINDE HMV 55	TBD	1
86	B12386	IGUS BEARING GF1-1214-16	TBD	2
85	B12383	FLANGE BEARING	TBD	4
84	B12382	IGUS BEARING	TORLON	1
83	B12071A4	WASHER	STAINLESS	2
82	B11245	M8 WASHER FORM B A4	ST/STL A4	1
81	B11167	O-RING	NITRILE	1
80	B11045	STOWING BRAKE	STEEL	1
79	B11043	O-RING	NITRILE	1
78	B11033	V-SEAL	TBD	2
77	B11032	TBD	TBD	1
76	B11031	O-RING	TBD	1
75	B10721	HYDRAULIC MOTOR	STEEL	1
74	B10342	HEX HEAD BOLT	A2	2
73	B0855	M8x20mm SKT CAP LOW HEAD SCREW A4	A4	1
72	B0840	SOCKET HD CAP SCREW	A2	6
71	B0836	SOCKET HD CAP SCREW	A2	4
70	B0759 A4	M8x16 SKT HD CAP SCREW A4	A4	8
69	B0696	SOCKET HD CAP SCREW	A2	2
68	B0693	SOCKET HD CAP SCREW	A2	30
67	B0679	SOCKET HD CAP SCREW	A2	15
66	B0678	SOCKET HD CAP SCREW	A2	8
65	B0677	SOCKET HD CAP SCREW	A2	8
64	B0644	M6x10MM CONICAL POINTED GRUB SCREW	A4 STAINLESS	1
63	5860091	22mm LINE FEEDER	N/A	1
62	5860088	LINE DRIVER ASSY CW6000	N/A	1
61	58301190	MANIFOLD BLOCK	6082 T6	1
60	55600826	10MM DOWEL 304 SS	304 SS	8
59	55600825	CW6000 18MM V GROOVE DRIVE RING	6082 T6	1
58	55600770	REVERSER PULLEY 471	ACETAL	1
57	5560069	STOWING DRUM PULLEY 33T	ACETAL	1
56	55600706	CONTAINMENT WASHER	C7 114	1
55	55600699	THRUST WASHER	ACETAL	6
54	55600698	AXLE PIN	304 S15	1
53	55600696	DRUM STUB AXLE	ACETAL	1
52	55600663	RING GEAR CAP	BLACK ACETAL	1
51	55600661	RING GEAR	FV520b	1
50	55600452	CW6000 DRIVE DRUM	6082 T6	1
49	55600455	INNER SUPPORT BRACKET	53600655	1
48	55600454	OUTER SIDE SUPPORT	53600654	1
47	55600428	STOWING BRAKE BRACKET	6082 T6	1
46	55600495	STOWING INPUT SHAFT	304 S15	1
45	55600509	THRUST WASHER	DELTRIN	2
44	55600487	WASHER	DELTRIN	1
43	55600486	WASHER	DELTRIN	3
42	55600485	WASHER	DELTRIN	3
41	55600484	WASHER	DELTRIN	1
40	55600483	WASHER	DELTRIN	3
39	55600481	G/BOX SUN GEAR	FV520b	1
38	55600478	PLANET CARRIER OUTPUT SHAFT	FV520b	1
37	55600477	OUTPUT SUN GEAR	FV520b	1
36	55600454	FIRST IDLE SHEAVE	6082 T6	1
35	55600411	THRUST WASHER	55600411	1
34	55600395	MAIN DRUM	13003182	1
33	45000280	DOWEL	304 S15	2
32	40006293	CW THRUST WASHER	FV520b	1
31	40006290	LW MID SHEAVE	6082 T6	5
30	40006289	END SUPPORT BRACKET	13003211	1
29	40006287	CW 6000 STOWAGE DRUM	AS STATED	1
28	40006285	BASE PLATE	6082 T6 STOCK PLATE	1
27	40006275	CARBON COVER PLATE	CARBON FIBRE	1
26	40006267	RETAINING WASHER	304 S15	2
25	40006265	ROLLER BRIDGE	304 S31	1
24	40006264	ROPE GUARD TUBE	40006337	1
23	40006263	GUIDE BAR	304 S31	1
22	40006262	FATLEAD ROLLER	316 S31	2
21	40006261	AXIAL TUBE	316 S31	2
20	40006260	LMS SHAFT	BLACK ACETAL	2
19	8000478	BEARING ASSEMBLY	STL DE TCS	4
18	8000709	ROLLER BEARING	TORLON	5
17	8000601	THRUST BEARING	AS SHOWN	2
16	5300580	6mm DOWEL	304 S15	2
15	5010007	ROLLER BEARING	STAINLESS	2
14	5003777	GEAR RING	HE 301F	1
13	5003734	BALL REVERSER	TBD	1
12	5003703	THRUST WASHER	FV520b	2
11	5003700	LMS BEARING SLEEVE	FV520b	1
10	5003199	IDLE DRUM SHAFT	FV520b	1
9	5003194	END STOP	ACETAL	1
8	5003189	GEAR SPINDLE	FV520b	3
7	5003188	DRUM SUPPORT	FV520b	1
6	5003187	PLANET GEAR	FV520b	3
5	5003185	CW6000 END PLATE	304 S15	1
4	5002020	DOWEL	304 S15	10
3	5001662	GEAR PIN	FV520b	3
2	5000018	ROLLER BEARING	AS SHOWN	3
121	B6934	3/4 BSP PLUG	STAINLESS	2
120	T60304	SA PIPE FLANGE	STAINLESS	1

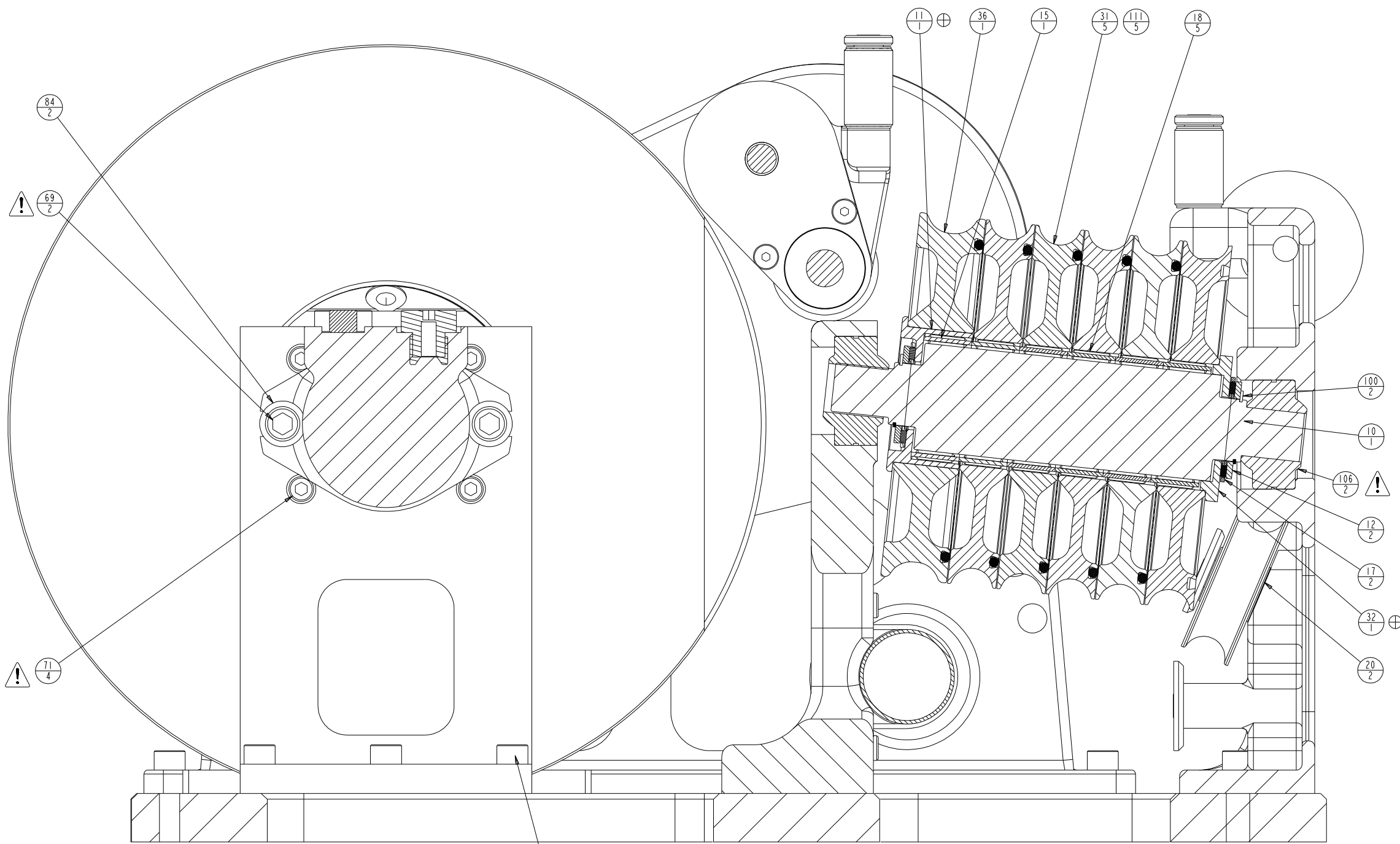
SHEET-3 OF 5

MATERIAL	N/A	ALL DIMENSIONS IN mm	DRN	L. MOORE	TITLE	CW 6000 18mm JIC
FINISH	N/A	TOLERANCES (UNLESS STATED)	DATE	17-Mar-10	PART No.	59600268
		LINEAR ±	SCALE	7:10		LEWMAR
		ANGULAR ±	MODEL NAME:	59600268		



PART No. 59600268

ISSUE	REVISION	MOD No.	DATE
C	V GROOVE	12610	17-Mar-10



SECTION C-C

! SECURE WITH B2602 (LOCTITE 243)

⊕ SECURE WITH B2609 (LOCTITE 638)

121	B6943	3/4 BSP PLUG SKT HD VS-R 3/4WD	TBD	2
-----	-------	--------------------------------	-----	---

SHEET-4 OF 5

MATERIAL
N/A

FINISH
N/A

ALL DIMENSIONS IN mm

TOLERANCES (UNLESS STATED)
LINEAR ±
ANGULAR ±

DRN L. MOORE
DATE 17-Mar-10
SCALE 4:5

MODEL NAME: 59600268

TITLE
CW 6000 18mm JIC

PART No.
59600268

LEWMAR

SHT 4 OF 5 SHTS

PART No. 59600268

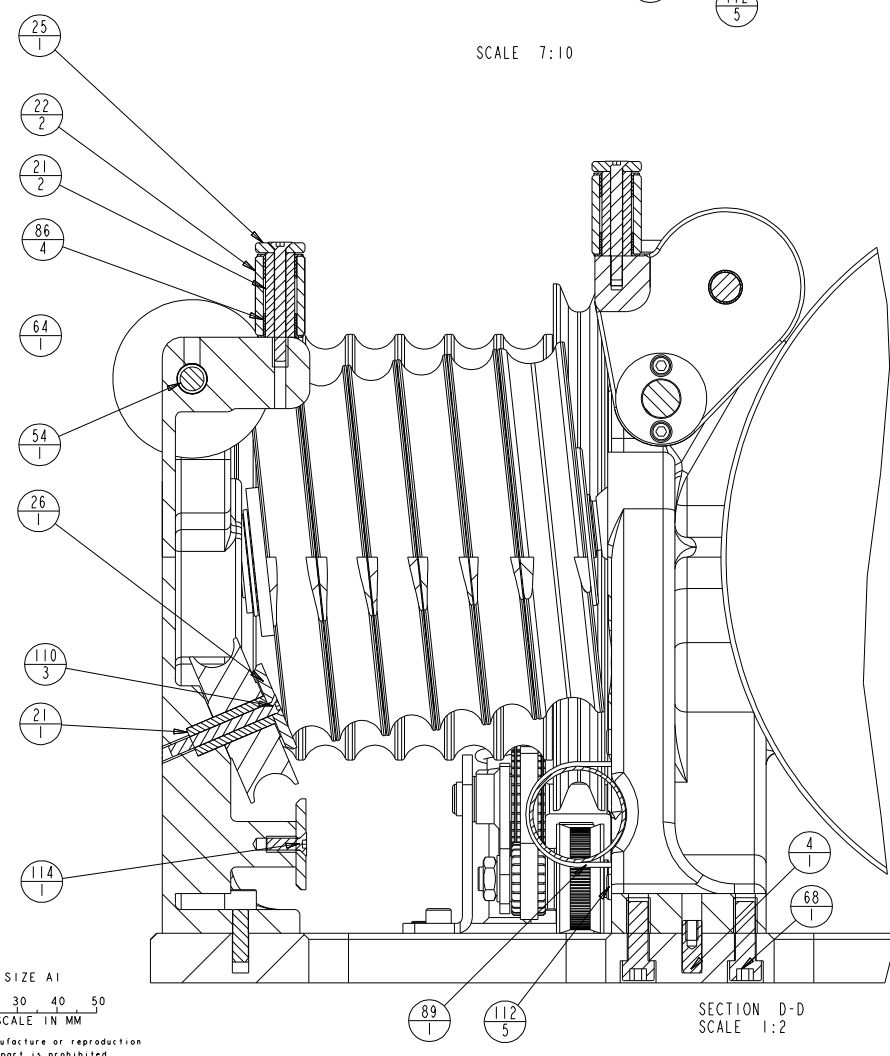
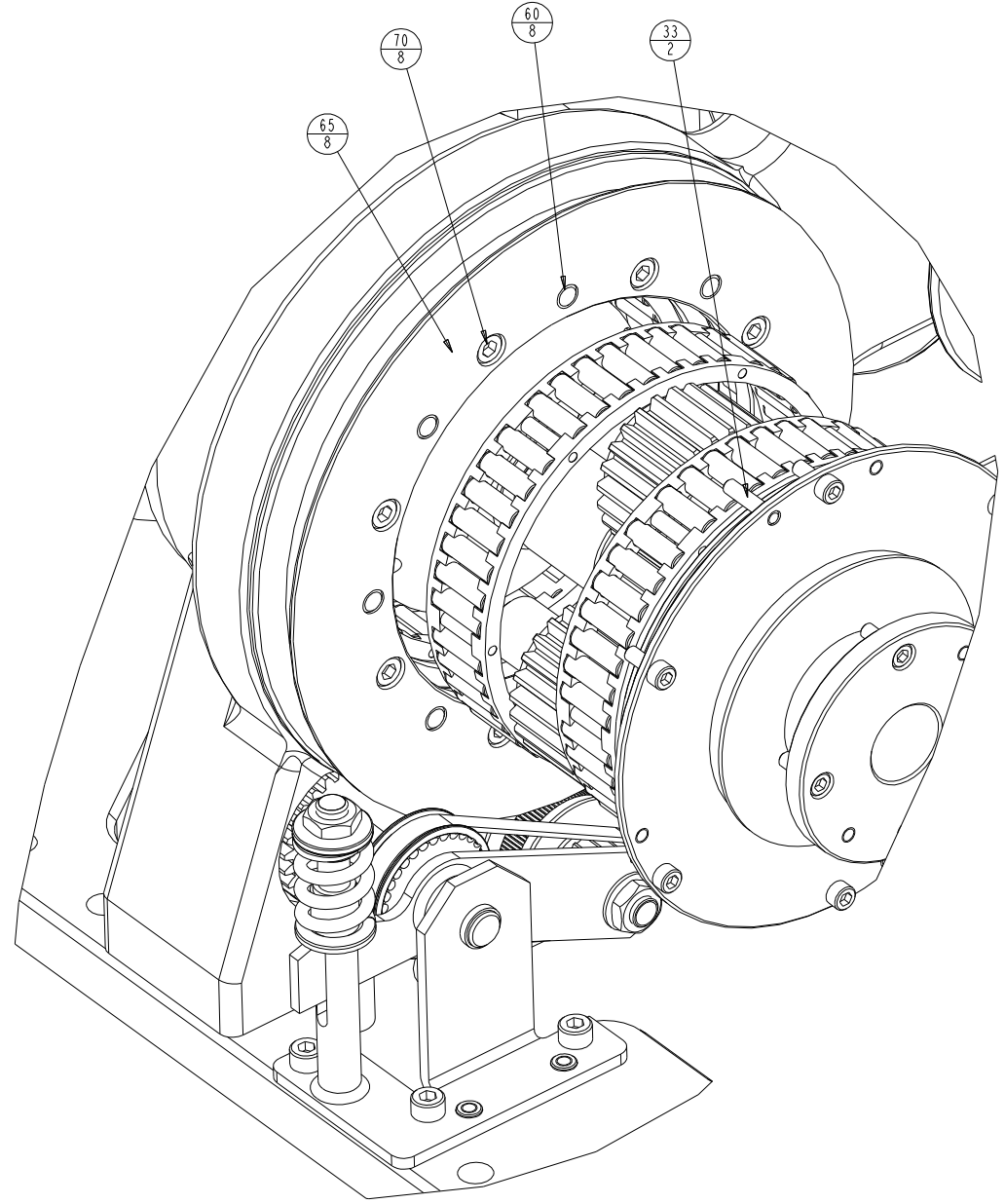
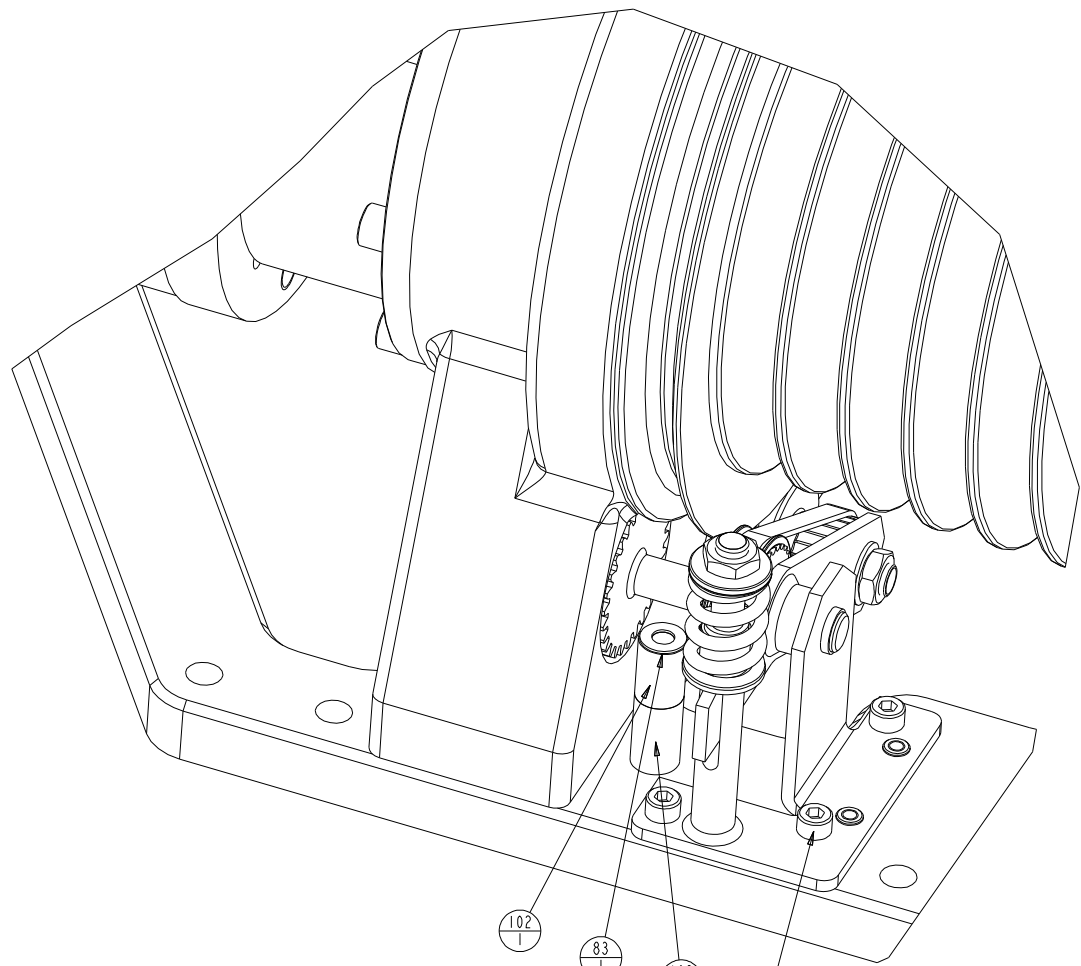
ORIGINAL SIZE A1
0 10 20 30 40 50
REFERENCE SCALE IN MM

Unauthorised use, manufacture or reproduction in whole or in part is prohibited

ISSUE	REVISION	MOD No.	DATE
C	V GROOVE	12610	17-Mar-10

120	B6934	SA PIPE FLANGE	TBD	2
119	B6541	CIRCLIP	STAINLESS	3
118	B6425	DRAIN PLUG	STAINLESS	1
117	B6240	RADIAL OIL SEAL	RUBBER	1

116	B6068	'O' RING	TBD	1
115	B5727-A4	M16 FORM A WASHER A4	TBD	2
114	B5331-A4	M6x20mm SKT HD CSK SCREW A4	A4	1
113	B5301	M6x8mm B/H SKT	A2	9
112	B5033-A4	M8x20mm SKT CAP HEAD SCREW A4	A4	5
111	B4728-105	BALL ASSY 105 x QTY	DELFIN	5
110	B4126-A4	M6x35 CSK SKT SCREW	A4	3
109	B3432	NB506225	N/A	1
108	B3365-18MM	720-8M-20	TBD	1
107	B3226	SKT HD PLUG 1/2"BSP	STAINLESS STEEL	2
106	B2808	ROSE BEARING	N/A	2
105	B2429	HELICOIL M8X2D	304S15	1
104	B2343	CIRCLIP	STAINLESS	4
103	B2227	SKIFFY 005 6100 000 02	NYLON	1
102	B2226	SKIFFY 005 6070 00 02	NYLON	1
101	B2098	CIRCLIP	STAINLESS	1
100	B2087	ext_circlip	ST STL	2
99	B20207	M8x65mm SKT BUTTON HEAD A4	ST/STL A4	1
98	B1366	WASHER	STAINLESS	1
97	B12945	BLANKING PLUG 7/16"SAE	STAINLESS	1
96	B12942	M22 STEEL BLANKING PLUG	TBD	1
95	B12941	BLANKING PLUG M14 x 1.5	STAINLESS STEEL	1
94	B12880	LMS MOTOR LABELS	TBD	1
93	B12737	CW6000 COVER	TBD	1
92	B12730	PACKING CRATE CW6000	TBD	1
91	B12729	LMS MANIFOLD TRANSIT BOX	TBD	1
90	B12558	MATRIX PD0042-07	N/A	1
89	B12415	U-CLIP	304	1
88	B12399	LINDE HMV 55	TBD	1
87	B12337	IGUS BEARING GF1-1214-16	TBD	2
86	B12336	FLANGE BEARING	TBD	4
85	B12333	IGUS BEARING	TORLON	1
84	B1212	WASHER	STAINLESS	2
83	B1207-A4	M8 WASHER FORM B A4	ST/STL A4	1
82	B11205	'O' RING	NITRILE	1
81	B11167	STOWING BRAKE	STEEL	1
80	B11055	'O' RING	NITRILE	1
79	B11043	V-SEAL	TBD	2
78	B11033	TBD	TBD	1
77	B11032	TBD	TBD	1
76	B11031	'O' RING	TBD	1
75	B10721	HYDRAULIC MOTOR	STEEL	1
74	B10342	HEX HEAD BOLT	A2	2
73	B0855	M8x20mm SKT CAP LOW HEAD SCREW A4	A4	1
72	B0840	SOCKET HD CAP SCREW	A2	6
71	B0836	SOCKET HD CAP SCREW	A2	4
70	B0759-A4	M8x16 SKT HD CAP SCREW A4	A4	8
69	B0696	SOCKET HD CAP SCREW	A2	2
68	B0693	SOCKET HD CAP SCREW	A2	30
67	B0679	SOCKET HD CAP SCREW	A2	15
66	B0678	SOCKET HD CAP SCREW	A2	8
65	B0677	SOCKET HD CAP SCREW	A2	8
64	B0644	M6x10MM CONICAL POINTED GRUB SCREW	A4 STAINLESS	1
63	58600091	22mm LINE FEEDER	N/A	1
62	58600088	LINE DRIVER ASSY CW6000	N/A	1
61	58301190	MANIFOLD BLOCK	6082-T6	1
60	55600826	10MM DOWEL, 304 SS	304 SS	8
59	55600825	CW6000 18MM V GROOVE DRIVE RING	6082 T6	1
58	55600770	REVERSER PULLEY 47T	ACETAL	1
57	55600769	STOWING DRUM PULLEY 33T	ACETAL	1
56	55600706	CONTAINMENT WASHER	CZ 114	1
55	55600699	THRUST WASHER	ACETAL	6
54	55600698	AXLE PIN	304 S15	1
53	55600696	DRUM STUB AXLE	ACETAL	1
52	55600663	RING GEAR CAP	BLACK ACETAL	1
51	55600661	RING GEAR	FV520B	1
50	55600657	CW6000 DRIVE DRUM	6082 T6	1
49	55600655	INNER SUPPORT BRACKET	53600655	1
48	55600654	OUTER SIDE SUPPORT	53600654	1
47	55600628	STOWING BRAKE BRACKET	6082-TF	1
46	55600595	STOWING INPUT SHAFT	304S15	1
45	55600509	THRUST WASHER	DELFIN	2
44	55600487	WASHER	DELFIN	1
43	55600486	WASHER	DELFIN	3
42	55600485	PLANET GEAR	FV520B	3
41	55600484	WASHER	DELFIN	1
40	55600483	WASHER	DELFIN	3
39	55600481	G/BOX SUN GEAR	FV520B	1
38	55600478	PLANET CARRIER OUTPUT SHAFT	FV520B	1
37	55600477	OUTPUT SUN GEAR	FV520B	1
36	55600454	FIRST IDLE SHEAVE	6082 T6	1
35	55600411	THRUST WASHER	55600411	1
34	55600395	MAN IN DRUM	13003182	1
33	45000280	DOWEL	304S15	2
32	40006293	CW THRUST WASHER	FV520B	1
31	40006290	LW MID SHEAVE	6082 T6	5
30	40006289	END SUPPORT BRACKET	13003211	1
29	40006287	CW 6000 STOWAGE DRUM	AS STATED	1
28	40006285	BASE PLATE	6082 T6 STOCK PLATB	1
27	40006275	CARBON COVER PLATE	CARBON FIBRE	1
26	40006267	RETAINING WASHER	304 S15	2
25	40006265	ROLLER BRIDGE	304 S31	1
24	40006264	ROPE GUARD TUBE	40006337	1
23	40006263	GUIDE BAR	304 S31	1
22	40006262	FAIRLEAD ROLLER	316 S31	2
21	40006261	AXIAL TUBE	316 S31	3
20	40006260	LMS SHEAVE	BLACK ACETAL	2
19	18000478	BEARING ASSEMBLY	SEE DETLS	4
18	18000209	ROLLER BEARING	TORLON	5
17	18000007	THRUST BEARING	AS SHOWN	2
16	15300680	6mm DOWEL	304 S15	2
15	15010007	ROLLER BEARING	STAINLESS	2
14	15003777	GEAR RING	HE 30TF	1
13	15003234	BALL REVERSER	TBD	1
12	15003203	THRUST WASHER	FV520B	2
11	15003200	LMS BEARING SLEEVE	FV520B	1
10	15003199	IDLE DRUM SHAFT	FV520B	1
9	15003194	END STOP	ACETAL	1
8	15003189	GEAR SPINDLE	FV520B	3
7	15003188	DRUM SUPPORT	FV520B	1
6	15003187	PLANET GEAR	FV520B	3
5	15003185	CW6000 END PLATE	304 S15	1
4	15002020	DOWEL	304 S15	10
3	15001662	GEAR PIN	FV520B	3
2	15000018	ROLLER BEARING	AS SHOWN	3
1	15000017	ROLLER BEARING	STAINLESS	4
ITEM	PART No.	DESCRIPTION	MATERIAL	QTY



SHEET-5 OF 5		DRN L. MOORE		TITLE	
MATERIAL	N/A	ALL DIMENSIONS IN mm	DATE	CW 6000 18mm JIC	
FINISH	N/A	TOLERANCES (UNLESS STATED)	17-Mar-10	PART No.	59600268
		LINEAR ±	SCALE	4:5	LEWMAR
		ANGULAR ±			
			MODEL NAME:	59600268	

PART No. 59600268

ORIGINAL SIZE A1
 0 10 20 30 40 50
 REFERENCE SCALE IN MM
 Unauthorised use, manufacture or reproduction
 in whole or in part is prohibited

FIRST ANGLE PROJECTION

REMOVE ALL BURRS AND SHARP EDGES

ISSUE	REVISION	MOD No.	DATE
C	V GROOVE	12610	17-Mar-10

TOLERANCES (UNLESS STATED)		DATE	SCALE	PART No.	TITLE
LINEAR ± &linear_tol	ANGULAR ± &angular_tol	17-Mar-10	2:5	59600268	CW 6000 18mm JIC
MODEL NAME: 59600268		DRN L. MOORE		3/4 BSP PLUG SKT HD VS-R 3/4WD	
MATERIAL N/A		FINISH N/A		TBD	

ORIGINAL SIZE A1
 REFERENCE SCALE IN MM
 0 10 20 30 40 50
 Unauthorised use, manufacture or reproduction in whole or in part is prohibited

MATERIAL N/A	ALL DIMENSIONS IN mm	DRN L. MOORE	TITLE CW 6000 18mm JIC
FINISH N/A	TOLERANCES (UNLESS STATED)	DATE 17-Mar-10	PART No. 59600268
MODEL NAME: 59600268		SCALE 2:5	LEWMAR

PART No. 59600268