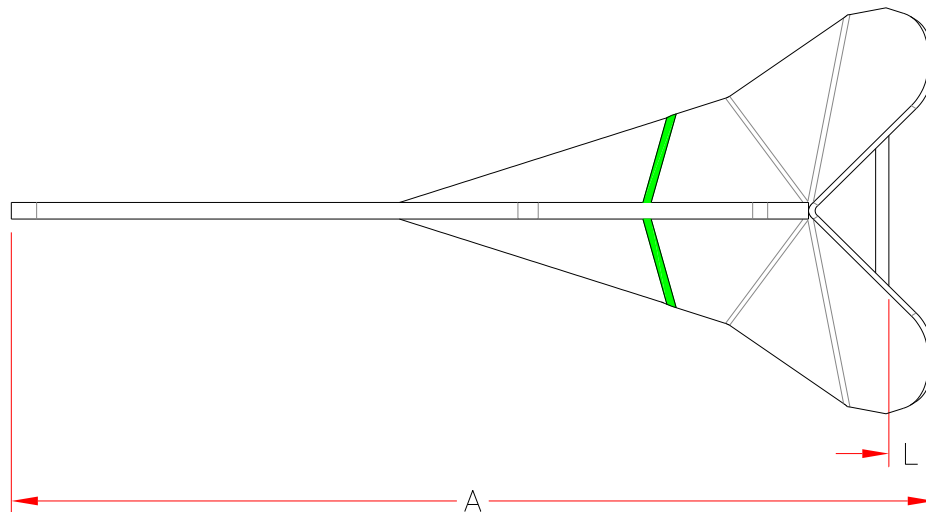
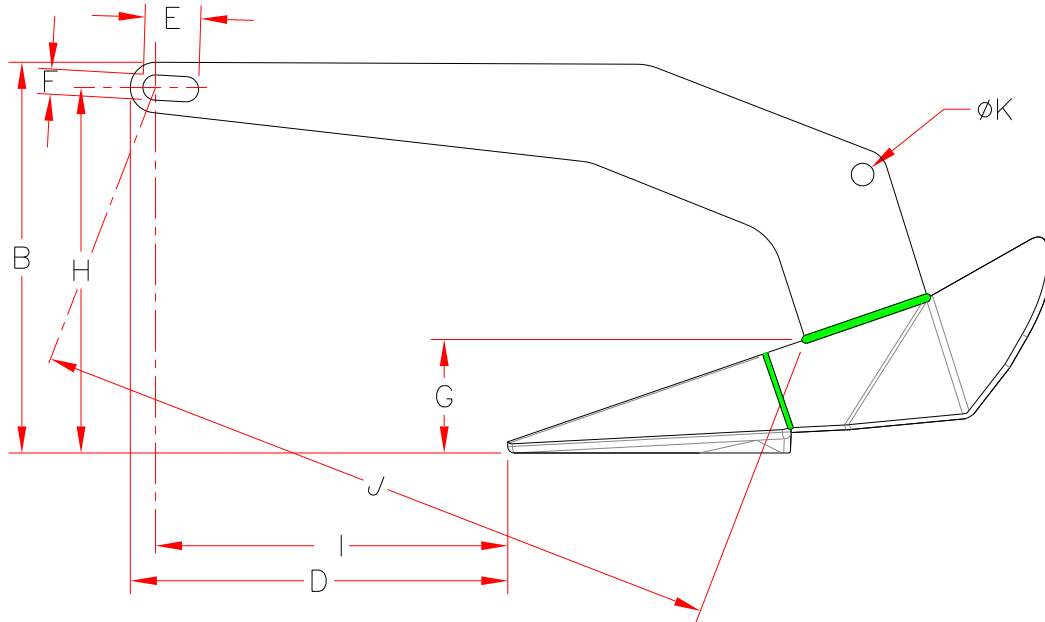
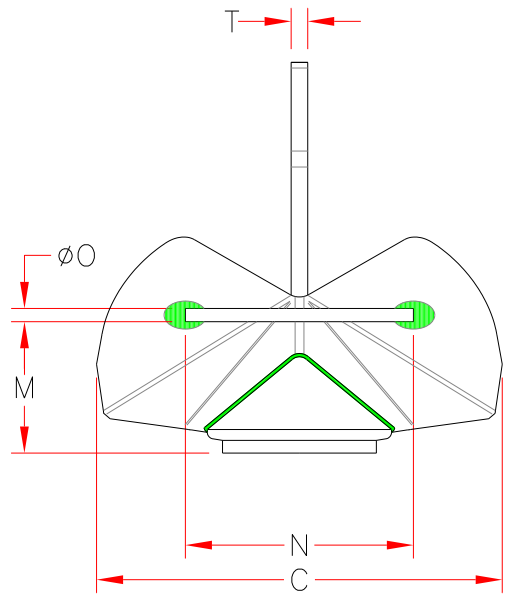


# Drawing M4440-7, ammended to omit welding details

REV	ENG ALT No.	DATE
2	001420	2June92
4	001586	11Jul95
5	001631	30Jan'97
6	001617	17Feb'97
7	001790	23Jan'00



Size	Anchor (kg/lb)									
	4/9	6/14	10/22	16/35	20/44	25/55	40/88	50/110	63/140	
A	514	593	695	812	877	945	1103	1175	1270	
B	217	254	293	339	370	397	459	486	537	
C	230	265	310	362	392	415	489	523	567	
D	210	243	282	328	357	387	437	479	508	
E	35	35	42	42	48	48	48	48	56	
F	16	16	19	19	24	24	24	24	28	
G	62	72	85	98	109	116	137	139	152	
H	201	238	274	317	346	371	433	460	507	
I	194	227	263	306	333	361	411	453	478	
J	387	450	526	614	663	713	833	890	963	
ØK	14	14	17	17	22	22	22	22	24	
L	28	29	36	39	43	45	60	65	69	
M	71	81	95	114	123	135	153	158	171	
N	116	148	172	205	225	245	265	282	290	
ØO	8±0.4	10±0.4	10±0.4	12±0.4	12±0.4	12±0.4	16±0.5	16±0.5	25±0.5	
T	8±0.35	10±0.4	12.5±0.43	12.5±0.43	16±0.5	16±0.5	20±0.5	20±0.5	22±0.5	

Dimensions Subject to Alteration  
Assembly Tolerance ±2%, Except 'G' ±4%

UNLESS OTHERWISE STATED  
ALL DIMENSIONS ARE IN mm  
TOLERANCES ARE:  
X ± 0.4mm  
X.X ± 0.2mm  
X.XX ± 0.1mm

FIRST ANGLE PROJECTION	P	POLISH

TITLE  
**Delta Anchor  
Leading Sizes**

MATERIAL  
-

FINISH  
-

SCALE  
N/A

LIST No.  
00574 x x

No. OFF  
-

STOCK No.  
-

ITEM.No.  
-

DRAWING No.  
M4440-7